



INSTALLATION INSTRUCTIONS

48" x 70" Panel Frame Kit

Please read entire instruction sheet before you begin.

Follow these instructions and recommendations to install panels within warranty, and to avoid product damage.

Suitable for pro builders and DIY crafters.

Installation requires 2 people.

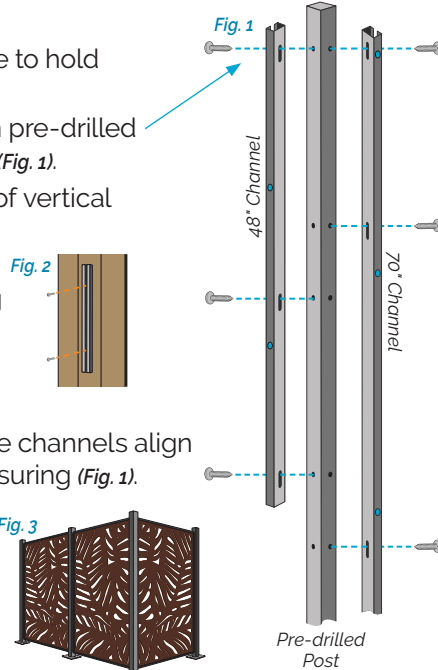
Illustrations not to scale. Black posts and channels rendered in gray.

PLEASE READ INSTRUCTIONS COMPLETELY BEFORE YOU BEGIN: We recommend following best building practices for installing OUTDECO USA Steel Posts and Frames with OUTDECO USA Decorative Panels in accordance with their intended purpose. Examples shown in this document are installation suggestions. Adjust installation configurations to meet your specific project requirements. If in doubt, consult a professional. We recommend checking with proper authorities about building codes/standards that may apply to your project. The OUTDECO USA Post & Frame System has a **5-Year Limited Warranty** for material integrity when installed per these instructions. Installers assume responsibility for the installation (See page 4).

System Components & Features

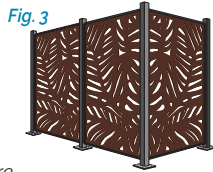
Frame Channels

- Channels assemble into a frame to hold 1 - 48" x 70" panel.
- Channel slots directly align with pre-drilled holes on OUTDECO USA posts (Fig. 1).
- Channel slots allow for up to 1" of vertical adjustment to compensate for uneven surfaces (Fig. 1).
- Channels also attach to existing walls, fences, and other flat surfaces (Fig. 2).



Posts (Sold separately.)

- Pre-drilled post holes and frame channels align for easy assembly without measuring (Fig. 1).
- Posts are pre-drilled on 3 sides allowing for linear or 90° corner installations (Fig. 3).
- See post instructions* for additional installation details.



* Post screws for both masonry and wood are included with posts. (Instructions & screws are located inside the post.)

WHAT'S IN THE BOX

QTY. ITEM See pages 2 & 4 for channel identification diagrams.

| | |
|---|------------------------------------------------|
| 6 | A-70 Channel - 70" LEFT SIDE or UPPER Channel |
| 1 | B-70 Channel - 70" RIGHT SIDE or LOWER Channel |
| 1 | A-48 Channel - 48" LEFT SIDE or UPPER Channel |
| 1 | B-48 Channel - 48" RIGHT SIDE or LOWER Channel |
| 4 | Corners - Poly Frame Corner Connectors |
| 6 | Channel Screws - #8 x 1" Phillips |
| 8 | Panel Locking Screws - #8 x 1" Phillips |

NOTE: Post screws for both masonry and wood are included with posts. (Instructions & screws are located inside the post.)

WHAT YOU'LL NEED

See Shopping List below for panel and post needs.

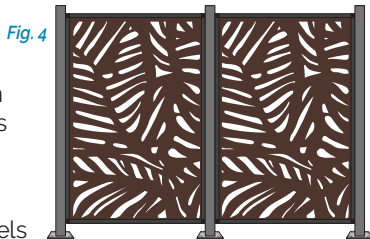


** Block height: Vertical Panels (p. 2) - 2 3/4"H; Horizontal Panels (p. 4) - 2 3/4"H
Cardboard blocks are included, but wood blocks are recommended.

Plan Your Design & Fence Configuration Read this entire section before planning your project.

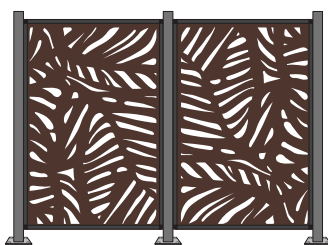
PATTERN ORIENTATION

Rotate panels to create unique patterns (Fig. 4). Check for pattern repeats and flows as you plan your design.



Panels in same orientation

Lay out your panels in position on a flat surface before you start your project.



Left panel rotated 180°

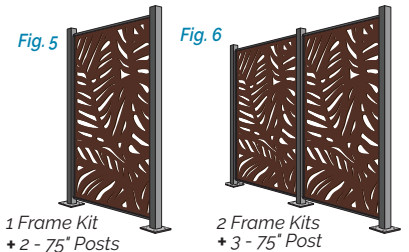
Learn more about OUTDECO USA panels and find design ideas at outdecousa.com.

FENCE CONFIGURATIONS & SHOPPING LIST

1 Panel Frame Kit - 1 Vertical Panel

(Instructions on page 2.)

- 1 - 48" x 70" OUTDECO USA Decorative Panel (sold separately)
- Posts* (sold separately):
 - 2 - 75" Posts for 1st Frame Kit (Fig. 5)
 - 1 additional Post for each Frame Kit added to fence (Fig. 6)



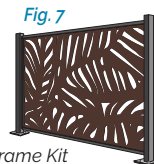
1 Frame Kit + 2 - 75" Posts

2 Frame Kits + 3 - 75" Post

1 Panel Frame Kit - 1 Horizontal Panel

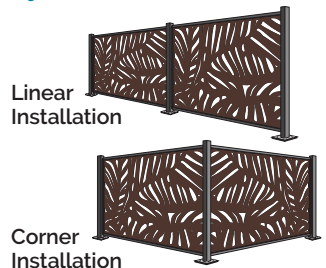
(Instructions on page 4.)

- 1 - 48" x 70" OUTDECO USA Decorative Panel (sold separately)
- Posts* (sold separately):
 - 2 - 52" Posts for 1st Frame Kit (Fig. 7)
 - 1 additional 52" Post for each Frame Kit added to fence (Fig. 8)



1 Frame Kit + 2 - 52" Posts

Fig. 8 2 Frame Kits + 3 - 52" Posts



Linear Installation

Corner Installation

Learn more about OUTDECO USA panels and find design ideas at outdecousa.com.



Illustrations not to scale. Black posts and channels rendered in gray.

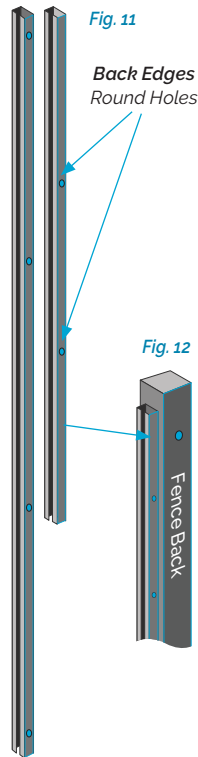
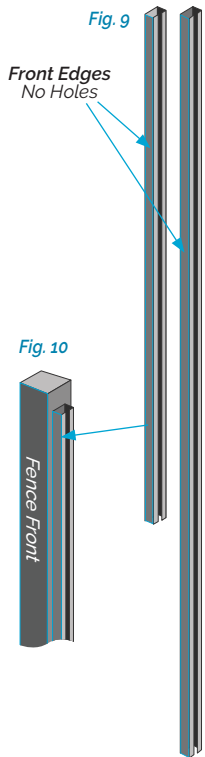
48" x 70" Vertical Panel Fencing – on 75" or 96" In-Ground Posts

1. Identify Channels & Posts

Channel FRONTS & BACKS (Figs. 9-12)

Channel FRONTS (Fig. 9) have no holes and **face the front** of the fence (Fig. 10).

Channel BACKS (Fig. 11) have round holes and **face the back** of the fence (Fig. 12).



Channel Identification – Vertical Panel Fence

(See page 4 for horizontal fence channel configuration.)

- To identify channels, lay them per diagram below (Fig. 13).
- Make sure the positions of long slots and round holes on your channels match the diagram below (Fig. 13).

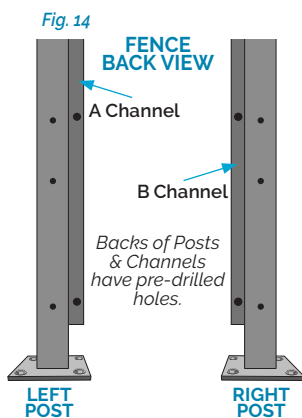


Post & Channel Positions

IMPORTANT:

Stand facing the **BACK** of your posts:

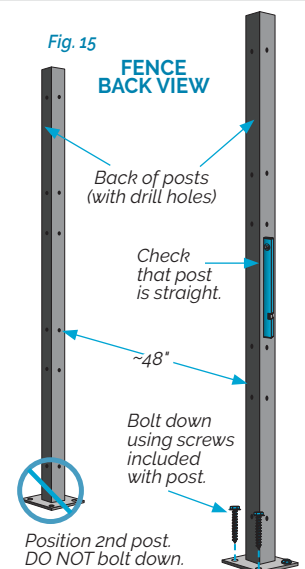
- A Channels will mount to the Post on your **LEFT** (Fig. 14).
- B Channels will mount to the Post on your **RIGHT** (Fig. 14).



2. Install 1st Post

- Posts are pre-drilled with holes on 3 sides. Position the side with no holes as the front of your fence (Fig. 10).
- Insert **Post Caps** onto posts (included with posts).
- Install **1st Post only** to concrete or wood surface. Check that post is straight and bolt down with the 4 post screws* (Fig. 15).
- Position 2nd post approx. 48" from 1st post. **Do not attach to surface yet** (Fig. 15).
- Have a helper hold the post steady during **Steps 3, 4 & 5**.
- For **96" In-Ground Posts**, see post installation instructions.

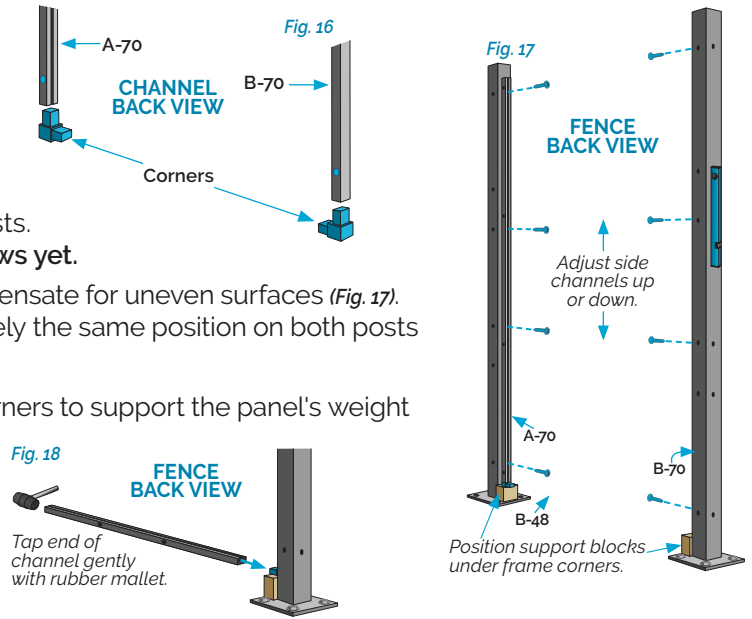
* Post screws for both masonry and wood are included with posts (located inside the post).



PRO TIP
If needed, add shims under post plate to level.

3. Attach Channels to Posts

- With **A-70 Channel** and **B-70 Channel** facing each other (Fig. 13), insert **Corners** into the lower end of each one (Fig. 16). Tap **Corners** gently with a rubber mallet.
- Using an impact driver, **loosely** drive a **Channel Screw** through **A-70** and **B-70 Channels'** upper slots into both posts. Add screws through lower slots (Fig. 17). **Do not tighten screws yet.**
- Adjust **A-70** and **B-70 Channels** vertically (max. 1") to compensate for uneven surfaces (Fig. 17). To ensure a level installation, make sure slots are at precisely the same position on both posts.
- Drive in screws securely. **Do not overtighten screws.**
- **IMPORTANT:** Position **2¼"H wood blocks*** below frame corners to support the panel's weight during installation (Fig. 17). (Panels can weigh from 28 lbs. to 40 lbs.)
* Cardboard blocks are included, but wood blocks are recommended.

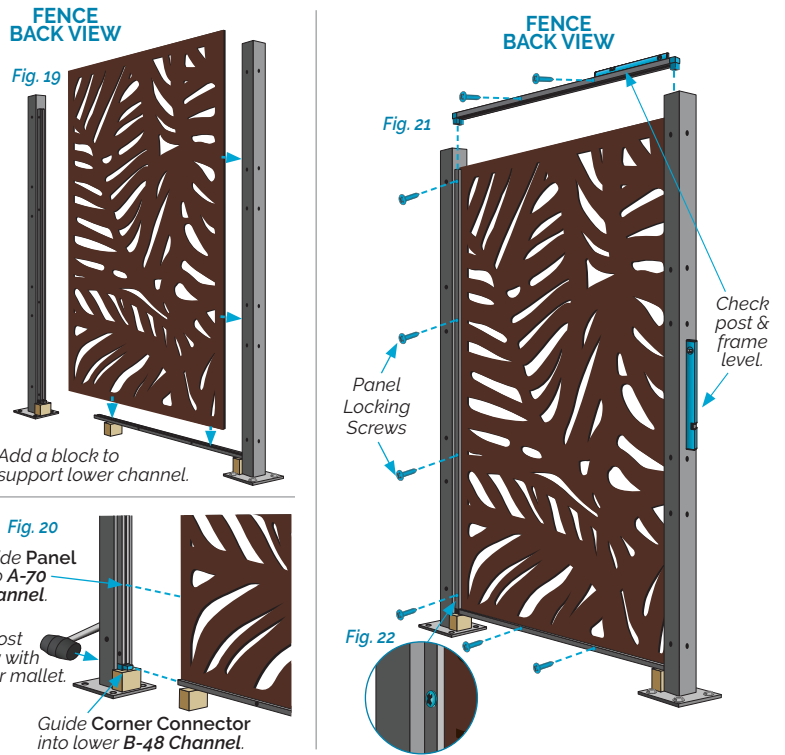


4. Insert & Secure Panel

- Slide the lower **B-48 Channel** onto the **Corner** of the **B-70 Channel** on the 1st post (Fig. 18).
- Add a support block under lower **B-48 Channel** or have a helper hold the channel steady (Fig. 19).
- **Slowly** slide a panel into the side **B-70 Channel**. **Do not drop in the panel.** Seat panel securely into side **B-70 Channel** and lower **B-48 Channel** (Fig. 19).
- Move 2nd post toward panel (Fig. 20), inserting the **Corner Connector** into lower **B-48 Channel** while guiding the panel into side **A-70 Channel**.
- Tap outside of post with a rubber mallet to secure **Corner Connector** into lower **B-48 Channel** (Fig. 20).
- Insert **Corners** into ends of upper **A-48 Channels** and slide it onto top of panel, tapping **Corners** into side channels with rubber mallet (Fig. 21).

IMPORTANT! Before proceeding, check that panel fits snugly all the way into all channels and all corner connectors are completely inserted.

- Secure panel in frame (Fig. 21):
 - On back of frame, drive **Panel Locking Screws** into **panel** through lower **B-48 Channel** holes (Figs. 21 & 22).
 - Repeat for **A-70** and **B-70 Channel** holes, starting with lower holes and working upward (Figs. 21 & 22).
 - **Check frame level again.** drive screws through upper **A-48 Channel** holes (Figs. 21 & 22).



5. Install 2nd Post

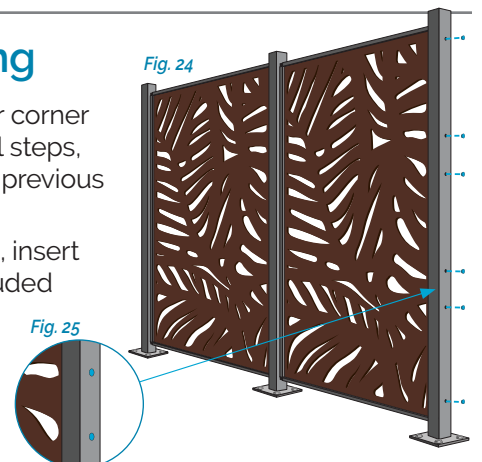
Width of installed frame sets spacing for 2nd post. Check channels and posts are level.

- Remove support blocks.
- **Loosely** screw in 4 post screws (Fig. 23).
- Check that channels and posts are level to finalize accurate post placement. Tighten post screws.



6. Finish Fencing

- For additional linear or corner installations, repeat all steps, attaching channels to previous posts (Fig. 24).
- Once fence is finished, insert **Post-Hole Plugs** (included with posts) into open post holes to help prevent water from leaking into posts (Figs. 24 & 25).



70" x 48" Horizontal Panel Fencing – on 52" Posts

1. Identify Channels & Posts

Channel FRONT & BACKS

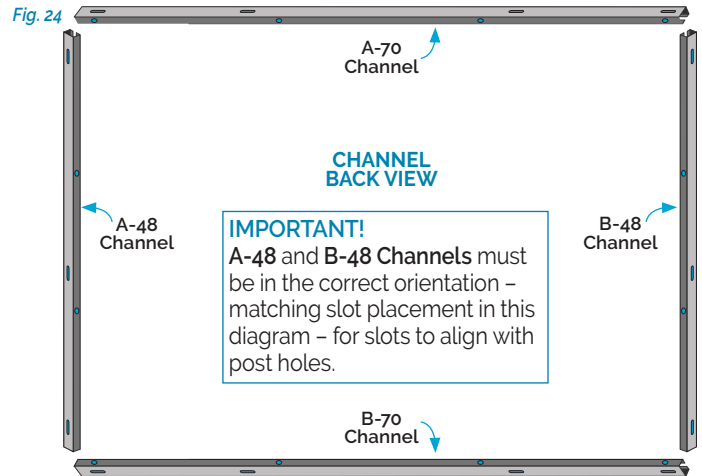
- See page 2 (Figs. 9-12) for channel front/back identification.

Channel Identification for Horizontal Panel Fence

- To identify your channels, lay them out like diagram at right (Fig. 24).
- Check that the placement of the long slots and round holes match the positions in the diagram (Fig. 24).

Post Positions

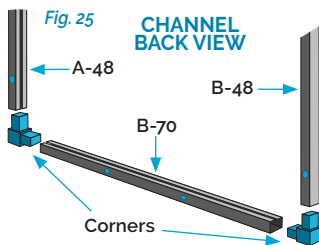
- See page 2 (Fig. 14) for positions, placing them approx. 70" apart.



2. Assemble Frames – Side & Lower Channels

Partially Assemble All 3 Frames

- Lay the A-48 Channel and the B-48 Channel facing each other (Fig. 25) and insert Corners (Fig. 25) into the lower end of each one.
- Connect to the lower B-70 Channel (Fig. 25). Tap Corners with rubber mallet.

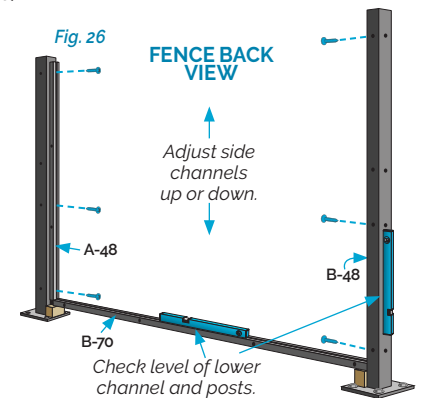


3. Install 1st Post

- See Step 2 on page 2, but position 2nd post approx. 70" from 1st post.

4. Attach Frame to Posts

- Using an impact driver, *loosely* drive a Channel Screw through A-48 and B-48 Channels' upper slots into both posts (Fig. 26).
- IMPORTANT:** Position 2³/₄" H wood blocks* below frame corners to support the panel's weight during installation (Fig. 17). (Panels can weigh from 28 lbs. to 40 lbs.)
- Add screws through all other slots (Fig. 26). **Do not tighten screws.**
- Level lower B-70 Channel. For uneven surfaces, adjust side channels vertically (max. 1" up or down) (Fig. 26).
- Drive in screws securely. **Do not overtighten screws.**

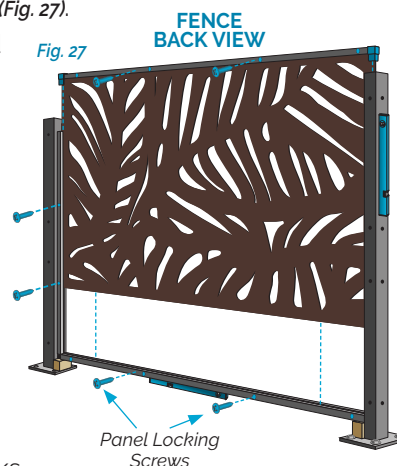


5. Insert Panel

- Slowly* slide a panel into the side channels – **do not drop in.** Seat the panel securely into the lower B-70 Channel (Fig. 27).
- Insert Corners into ends of upper A-70 Channels and slide it onto top of panel, tapping Corners into side channels with rubber mallet (Fig. 27). Check level.

IMPORTANT! Before the next step, check that panel fits snugly all the way into the channels and that corner connectors are completely inserted.

- Secure the panel in the frame (Fig. 27).
 - On the back of the frame, drive Panel Locking Screws into the panel through holes in the lower B-70 Channel. Hand tighten screws. **Do not overtighten.**
 - Add screws through holes in A-48 and B-48 side channels, starting with the lower holes.
 - Check frame level again, then add screws through holes in the upper A-70 Channel. Remove support blocks.



6. Install 2nd Post

- Follow Step 5 on page 3.



7. Finish Fencing

- Follow Step 6 on page 3.