



## INSTALLATION INSTRUCTIONS

# 75" & 52" Surface-Mount Posts

Please read entire instruction sheet before you begin.

Follow these instructions and recommendations to install panels within warranty, and to avoid product damage.

Suitable for pro builders and DIY crafters.

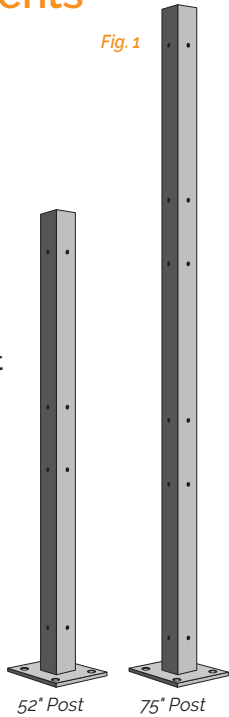
Illustrations not to scale. Black posts and channels rendered in gray.

**PLEASE READ INSTRUCTIONS COMPLETELY BEFORE YOU BEGIN:** We recommend following best building practices for installing OUTDECO USA Steel Posts and Frames in accordance with their intended purpose. Examples shown in this document are installation suggestions. Adjust installation configurations to meet your specific project requirements. If in doubt, consult a professional. We recommend checking with proper authorities about building codes/standards that may apply to your project. The OUTDECO USA Post & Frame System has a **5-Year Limited Warranty** for material integrity when installed per these instructions. Installers assume responsibility for the installation. (See full warranty at [design-vu.com/post-frame](http://design-vu.com/post-frame) or [modinexpansels.com/post-frame](http://modinexpansels.com/post-frame).)

## System Components & Features

### Posts

- Black powder-coated galvanized steel (Fig. 1).
- Welded base plates for surface mounting (Fig. 1)
- Pre-drilled post holes align with the slots in all OUTDECO USA Panel Frame and Slat Fence Kit channels for quick and easy installation with no measuring (Fig. 2). (See Kit installation instructions.)
- Posts are pre-drilled on 3 sides allowing for linear (Fig. 5) or 90° corner (Fig. 6) configurations.
- Screws for masonry & wood included.



### Panel Frame & Slat Fence Kit Channels

(Sold separately.)

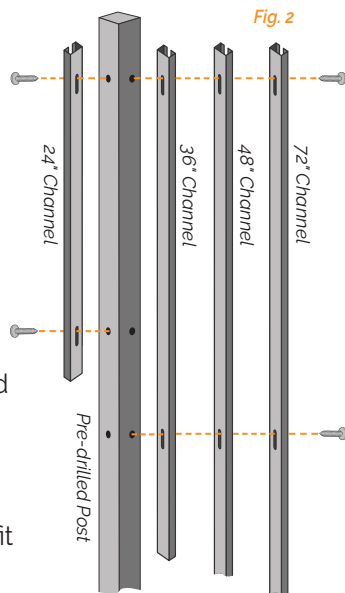
All channel sizes have slots that directly align with pre-drilled post holes for easy installation (Fig. 2).

### Panel Frame Kits:

Available in 24" x 48" or 36" x 72" Kits for Design-Vu and Modinex Panels; and 24" x 48" or 48" x 70" for Outdeco Panels

### Slat Fence Kit:

Channels adjust to fit Slats 1/2" to 1" thick.



## WHAT'S IN THE BOX

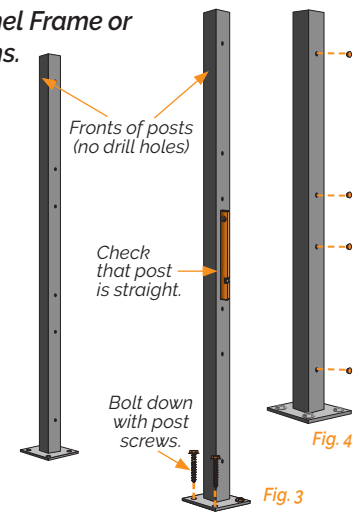
### 75" 52"

- 1 1 Post – Black powder-coated galvanized steel; welded base plate
- 4 4 Wood Post Screws & Washers – 5/16"Ø x 3"L; use 19/64" drill bit
- 4 4 Masonry Post Screws – 25/64"Ø x 3 1/4"L; use 5/16" drill bit
- 1 1 Poly Post Cap
- 12 8 Poly Post Hole Plugs

## Installing Posts on Wood or Masonry Surfaces

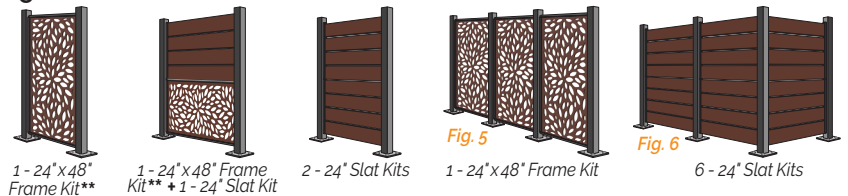
DO NOT install posts before attaching Panel Frame or Slat Fence Kit channels. See Kit instructions.

1. Insert Post Caps on top of posts.
2. Position undrilled side of post as the front of your front.
3. Pre-drill wood (19/64" drill bit) or masonry surface (5/16" drill bit).
4. Check that post is straight.
5. Bolt down with included Post Screws (Fig. 3).
6. Once fencing is finished, insert Post Hole Plugs into unused post holes to help prevent water leaking into posts (Fig. 4).

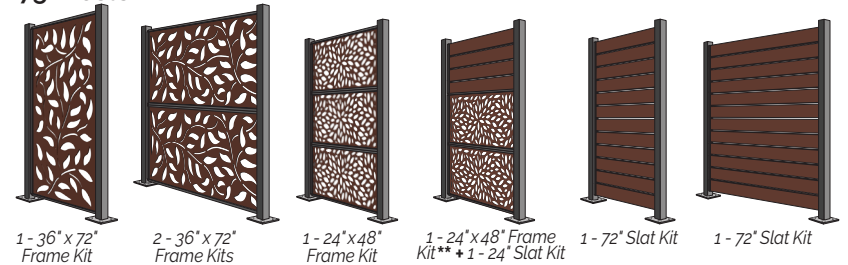


## INSTALLATION EXAMPLES

### 52" Posts



### 75" Posts



\*24" x 48" Panel Frame Kit contains 3 frames. These examples will yield extra frames.